

# MC10H605, MC100H605

## Registered Hex ECL to TTL Translator

### Description

The MC10/100H605 is a 6-bit, registered, dual supply ECL to TTL translator. The device features differential ECL inputs for both data and clock. The TTL outputs feature balanced 24 mA sink/source capabilities for driving transmission lines.

With its differential ECL inputs and TTL outputs the H605 device is ideally suited for the receive function of a HPPI bus type board-to-board interface application. The on chip registers simplify the task of synchronizing the data between the two boards.

A  $V_{BB}$  reference voltage is supplied for use with single-ended data or clock. For single-ended applications the  $V_{BB}$  output should be connected to the “bar” inputs ( $\overline{Dn}$  or  $\overline{CLK}$ ) and bypassed to ground via a 0.01  $\mu$ F capacitor. To minimize the skew of the device differential clocks should be used.

The ECL level Master Reset pin is asynchronous and common to all flip-flops. A “HIGH” on the Master Reset forces the Q outputs “LOW”.

The device is available in either ECL standard: the 10H device is compatible with MECL 10H™ logic levels while the 100H device is compatible with 100K logic levels.

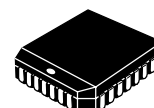
### Features

- Differential ECL Data and Clock Inputs
- 24 mA Sink, 24 mA Source TTL Outputs
- Dual Power Supply
- Multiple Power and Ground Pins to Minimize Noise
- 2.0 ns Part-to-Part Skew
- Pb-Free Packages are Available\*



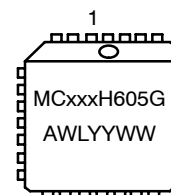
ON Semiconductor®

<http://onsemi.com>



PLCC-28  
FN SUFFIX  
CASE 776

### MARKING DIAGRAM\*



xxx	= 10 or 100
A	= Assembly Location
WL	= Wafer Lot
YY	= Year
WW	= Work Week
G	= Pb-Free Package

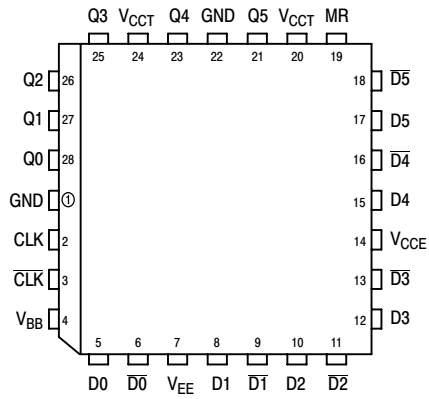
\*For additional marking information, refer to Application Note AND8002/D.

### ORDERING INFORMATION

See detailed ordering and shipping information in the package dimensions section on page 5 of this data sheet.

\*For additional information on our Pb-Free strategy and soldering details, please download the ON Semiconductor Soldering and Mounting Techniques Reference Manual, SOLDERRM/D.

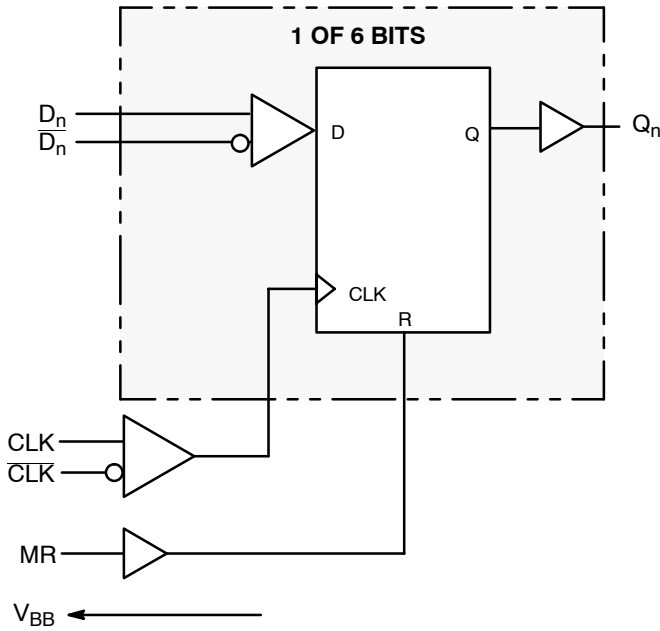
# MC10H605, MC100H605



**Figure 1. Pinout: PLCC-28**  
(Top View)

**Table 1. PIN DESCRIPTION**

PIN	FUNCTION
D0-D5	True ECL Data Inputs
$\overline{D0-D5}$	Inverted ECL Data Inputs
CLK, $\overline{CLK}$	Differential ECL Clock Input
MR	ECL Master Reset Input
Q0-Q5	TTL Outputs
V <sub>CCE</sub>	ECL V <sub>CC</sub>
V <sub>CCT</sub>	TTL V <sub>CC</sub>
GND	TTL Ground
V <sub>EE</sub>	ECL V <sub>EE</sub>



**Figure 2. Logic Diagram**

**Table 2. TRUTH TABLE**

D <sub>n</sub>	MR	TCLK/CLK	Q <sub>n+1</sub>
L	L	Z	L
H	L	Z	H
X	H	X	L

Z = LOW to HIGH Transition

# MC10H605, MC100H605

**Table 3. 10H ECL DC CHARACTERISTICS** ( $V_{CCT} = +5.0\text{ V} \pm 10\%$ ;  $V_{EE} = -5.20\text{ V} \pm 5\%$ )

Symbol	Characteristic	Condition	0°C			25°C			85°C			Unit
			Min	Typ	Max	Min	Typ	Max	Min	Typ	Max	
$I_{EE}$	Supply Current			63	75		63	75		61	75	mA
$I_{INH}$	Input High Current				255			175			175	$\mu\text{A}$
$I_{INL}$	Input Low Current		0.5			0.5			0.5			$\mu\text{A}$
$V_{IH}$	Input High Voltage		-1170		-840	-1130		-810	-1060		-720	mV
$V_{IL}$	Input Low Voltage		-1950		-1480	-1950		-1480	-1950		-1480	mV
$V_{BB}$	Output Bias Voltage		-1400		-1280	-1370		-1270	-1330		-1210	mV
$V_{Diff}$	Input Differential Voltage		150			150			150			mV
$V_{max}$ CMRR	Input Common Mode Re- ject Range				0			0			0	mV
$V_{min}$ CMRR	Input Common Mode Re- ject Range	$V_{EE} = -4.94$ $V_{EE} = -5.20$ $V_{EE} = -5.46$	-2800 -3000 -3300			-2800 -3000 -3300			-2800 -3000 -3300			mV

NOTE: Device will meet the specifications after thermal equilibrium has been established when mounted in a test socket or printed circuit board with maintained transverse airflow greater than 500 lfm. Electrical parameters are guaranteed only over the declared operating temperature range. Functional operation of the device exceeding these conditions is not implied. Device specification limit values are applied individually under normal operating conditions and not valid simultaneously.

**Table 4. 100H ECL DC CHARACTERISTICS** ( $V_{CCT} = +5.0\text{ V} \pm 5\%$ ;  $V_{EE} = -4.2\text{ V to } 5.5\text{ V}$ )

Symbol	Characteristic	Condition	0°C			25°C			85°C			Unit
			Min	Typ	Max	Min	Typ	Max	Min	Typ	Max	
$I_{EE}$	Supply Current			65	75		65	75		70	85	mA
$I_{INH}$	Input High Current				255			175			175	$\mu\text{A}$
$I_{INL}$	Input Low Current		0.5			0.5			0.5			$\mu\text{A}$
$V_{IH}$	Input High Voltage		-1165		-880	-1165		-880	-1165		-880	mV
$V_{IL}$	Input Low Voltage		-1810		-1475	-1810		-1475	-1810		-1475	mV
$V_{BB}$	Reference Voltage		-1400		-1280	-1400		-1280	-1400		-1200	mV
$V_{Diff}$	Input Differential Voltage		150			150			150			mV
$V_{max}$ CMRR	Input Common Mode Re- ject Range				0			0			0	mV
$V_{min}$ CMRR	Input Common Mode Re- ject Range	$V_{EE} = -4.20$ $V_{EE} = -4.50$ $V_{EE} = -4.80$	-2000 -2200 -2400			-2000 -2200 -2400			-2000 -2200 -2400			mV

NOTE: Device will meet the specifications after thermal equilibrium has been established when mounted in a test socket or printed circuit board with maintained transverse airflow greater than 500 lfm. Electrical parameters are guaranteed only over the declared operating temperature range. Functional operation of the device exceeding these conditions is not implied. Device specification limit values are applied individually under normal operating conditions and not valid simultaneously.

# MC10H605, MC100H605

**Table 5. TTL DC CHARACTERISTICS** ( $V_{CC} = +5.0\text{ V} \pm 10\%$ ;  $V_{EE} = -5.2\text{ V} \pm 5\%$  (10H);  $V_{EE} = -4.2\text{ V}$  to  $5.5\text{ V}$  (100H))

Symbol	Characteristic	Condition	0°C			25°C			85°C			Unit
			Min	Typ	Max	Min	Typ	Max	Min	Typ	Max	
$I_{CCL}$	Supply Current	Outputs Low		65	75		65	75		65	75	mA
$I_{CCH}$	Supply Current	Outputs High		65	75		65	75		65	75	mA
$V_{OL}$	Output Low Voltage	$I_{OL} = 24\text{ mA}$			500			500			500	mV
$V_{OH}$	Output High Voltage	$I_{OH} = 24\text{ mA}$	2.5			2.5			2.5			mV
$I_{OS}$	Output Short Circuit Current	$V_{OUT} = 0\text{ V}$	100		225	100		225	100		225	mA

NOTE: Device will meet the specifications after thermal equilibrium has been established when mounted in a test socket or printed circuit board with maintained transverse airflow greater than 500 lfm. Electrical parameters are guaranteed only over the declared operating temperature range. Functional operation of the device exceeding these conditions is not implied. Device specification limit values are applied individually under normal operating conditions and not valid simultaneously.

**Table 6. AC TEST LIMITS** ( $V_{CC} = +5.0\text{ V} \pm 10\%$ ;  $V_{EE} = -5.2\text{ V} \pm 5\%$  (10H);  $V_{EE} = -4.2\text{ V}$  to  $5.5\text{ V}$  (100H))

Symbol	Characteristic	Condition	0°C			25°C			85°C			Unit
			Min	Typ	Max	Min	Typ	Max	Min	Typ	Max	
$t_{PLH}$	Propagation Delay CLK to Q (Diff) CLK to Q (SE)	Across P.S. and Temp $C_L = 50\text{ pF}$	4.5 4.3	5.3 5.3	6.5 6.7	4.5 4.3	5.4 5.4	6.5 6.7	4.5 4.3	5.6 5.6	6.5 6.7	ns
$t_{PHL}$	Propagation Delay CLK to Q (Diff) CLK to Q (SE)	Across P.S. and Temp $C_L = 50\text{ pF}$	4.0 3.8	5.0 5.0	6.0 6.2	4.0 3.8	5.1 5.1	6.0 6.2	4.0 3.8	5.5 5.5	6.0 6.2	ns
$t_{PHL}$	Propagation Delay MR to Q	Across P.S. and Temp $C_L = 50\text{ pF}$	2.5	4.9	7.0	2.5	5.2	7.0	3.0	5.8	7.5	ns
$t_{SKEW}$	Device Skew Part-to-Part (Diff) Within-Device	$C_L = 50\text{ pF}$		1.0 0.3	2.0 0.7		1.0 0.3	2.0 0.7		1.0 0.3	2.0 0.7	ns
$t_S$	Setup Time		1.5			1.5			1.5			ns
$t_H$	Hold Time		1.5			1.5			1.5			ns
$t_{PW}$	Minimum Pulse Width CLK		1.0			1.0			1.0			ns
$t_{PW}$	Minimum Pulse Width MR		1.0			1.0			1.0			ns
$V_{PP}$	Minimum Input Swing	Peak-to-Peak	150			150			150			mV
$t_r$	Rise Time	1.0 V to 2.0 V	0.7	1.0	1.5	0.7	1.0	1.5	0.7	1.0	1.5	ns
$t_f$	Fall Time	1.0 V to 2.0 V	0.5	0.7	1.2	0.5	0.7	1.2	0.5	0.7	1.2	ns
$t_{RR}$	Reset/Recovery Time		2.5			2.5			2.5			ns

NOTE: Device will meet the specifications after thermal equilibrium has been established when mounted in a test socket or printed circuit board with maintained transverse airflow greater than 500 lfm. Electrical parameters are guaranteed only over the declared operating temperature range. Functional operation of the device exceeding these conditions is not implied. Device specification limit values are applied individually under normal operating conditions and not valid simultaneously.

## MC10H605, MC100H605

### ORDERING INFORMATION

Device	Package	Shipping†
MC10H605FN	PLCC-28	37 Units / Rail
MC10H605FNG	PLCC-28 (Pb-Free)	37 Units / Rail
MC10H605FNR2	PLCC-28	500 / Tape & Reel
MC10H605FNR2G	PLCC-28 (Pb-Free)	500 / Tape & Reel
MC100H605FN	PLCC-28	37 Units / Rail
MC100H605FNG	PLCC-28 (Pb-Free)	37 Units / Rail
MC100H605FNR2	PLCC-28	500 / Tape & Reel
MC100H605FNR2G	PLCC-28 (Pb-Free)	500 / Tape & Reel

†For information on tape and reel specifications, including part orientation and tape sizes, please refer to our Tape and Reel Packaging Specifications Brochure, BRD8011/D.

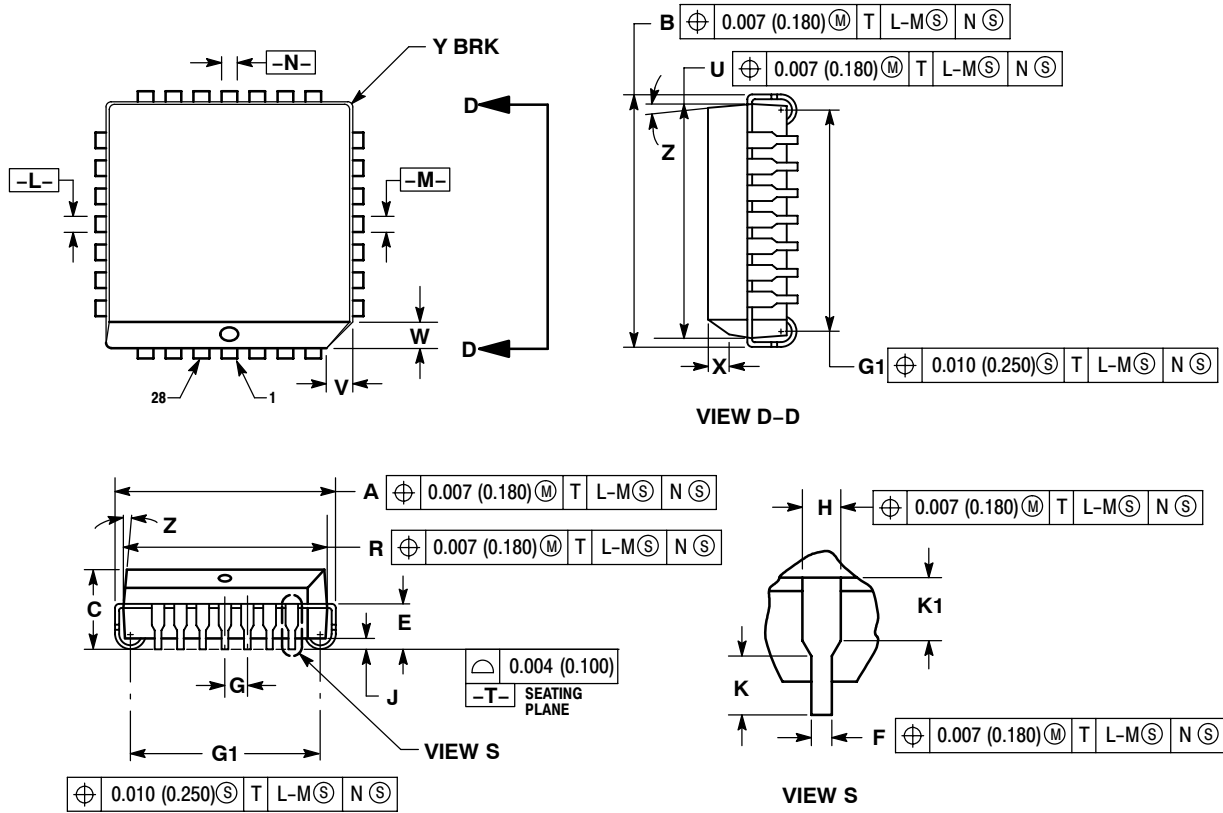
#### Resource Reference of Application Notes

- AN1405/D** – ECL Clock Distribution Techniques
- AN1406/D** – Designing with PECL (ECL at +5.0 V)
- AN1503/D** – ECLinPS™ I/O SPICE Modeling Kit
- AN1504/D** – Metastability and the ECLinPS Family
- AN1568/D** – Interfacing Between LVDS and ECL
- AN1672/D** – The ECL Translator Guide
- AND8001/D** – Odd Number Counters Design
- AND8002/D** – Marking and Date Codes
- AND8020/D** – Termination of ECL Logic Devices
- AND8066/D** – Interfacing with ECLinPS
- AND8090/D** – AC Characteristics of ECL Devices

# MC10H605, MC100H605

## PACKAGE DIMENSIONS

PLCC-28  
FN SUFFIX  
PLASTIC PLCC PACKAGE  
CASE 776-02  
ISSUE E




**NOTES:**

- DATUMS -L-, -M-, AND -N- DETERMINED WHERE TOP OF LEAD SHOULDER EXITS PLASTIC BODY AT MOLD PARTING LINE.
- DIMENSION G1, TRUE POSITION TO BE MEASURED AT DATUM -T-, SEATING PLANE.
- DIMENSIONS R AND U DO NOT INCLUDE MOLD FLASH. ALLOWABLE MOLD FLASH IS 0.010 (0.250) PER SIDE.
- DIMENSIONING AND TOLERANCING PER ANSI Y14.5M, 1982.
- CONTROLLING DIMENSION: INCH.
- THE PACKAGE BOTTOM MAY BE SMALLER THAN THE PACKAGE TOP BY UP TO 0.012 (0.300). DIMENSIONS R AND U ARE DETERMINED AT THE OUTERMOST EXTREMES OF THE PLASTIC BODY EXCLUSIVE OF MOLD FLASH, TIE BAR BURRS, GATE BURRS AND INTERLEAD FLASH, BUT INCLUDING ANY MISMATCH BETWEEN THE TOP AND BOTTOM OF THE PLASTIC BODY.
- DIMENSION H DOES NOT INCLUDE DAMBAR PROTRUSION OR INTRUSION. THE DAMBAR PROTRUSION(S) SHALL NOT CAUSE THE H DIMENSION TO BE GREATER THAN 0.037 (0.940). THE DAMBAR INTRUSION(S) SHALL NOT CAUSE THE H DIMENSION TO BE SMALLER THAN 0.025 (0.635).

DIM	INCHES		MILLIMETERS	
	MIN	MAX	MIN	MAX
A	0.485	0.495	12.32	12.57
B	0.485	0.495	12.32	12.57
C	0.165	0.180	4.20	4.57
E	0.090	0.110	2.29	2.79
F	0.013	0.019	0.33	0.48
G	0.050 BSC		1.27 BSC	
H	0.026	0.032	0.66	0.81
J	0.020	---	0.51	---
K	0.025	---	0.64	---
R	0.450	0.456	11.43	11.58
U	0.450	0.456	11.43	11.58
V	0.042	0.048	1.07	1.21
W	0.042	0.048	1.07	1.21
X	0.042	0.056	1.07	1.42
Y	---	0.020	---	0.50
Z	2° 10°		2° 10°	
G1	0.410	0.430	10.42	10.92
K1	0.040	---	1.02	---

# MC10H605, MC100H605

ECLinPS is a trademark of Semiconductor Components Industries, LLC (SCILLC).  
MECL 10H is a trademark of Motorola, Inc.

**ON Semiconductor** and  are registered trademarks of Semiconductor Components Industries, LLC (SCILLC). SCILLC reserves the right to make changes without further notice to any products herein. SCILLC makes no warranty, representation or guarantee regarding the suitability of its products for any particular purpose, nor does SCILLC assume any liability arising out of the application or use of any product or circuit, and specifically disclaims any and all liability, including without limitation special, consequential or incidental damages. "Typical" parameters which may be provided in SCILLC data sheets and/or specifications can and do vary in different applications and actual performance may vary over time. All operating parameters, including "Typicals" must be validated for each customer application by customer's technical experts. SCILLC does not convey any license under its patent rights nor the rights of others. SCILLC products are not designed, intended, or authorized for use as components in systems intended for surgical implant into the body, or other applications intended to support or sustain life, or for any other application in which the failure of the SCILLC product could create a situation where personal injury or death may occur. Should Buyer purchase or use SCILLC products for any such unintended or unauthorized application, Buyer shall indemnify and hold SCILLC and its officers, employees, subsidiaries, affiliates, and distributors harmless against all claims, costs, damages, and expenses, and reasonable attorney fees arising out of, directly or indirectly, any claim of personal injury or death associated with such unintended or unauthorized use, even if such claim alleges that SCILLC was negligent regarding the design or manufacture of the part. SCILLC is an Equal Opportunity/Affirmative Action Employer. This literature is subject to all applicable copyright laws and is not for resale in any manner.

## PUBLICATION ORDERING INFORMATION

### LITERATURE FULFILLMENT:

Literature Distribution Center for ON Semiconductor  
P.O. Box 5163, Denver, Colorado 80217 USA  
**Phone:** 303-675-2175 or 800-344-3860 Toll Free USA/Canada  
**Fax:** 303-675-2176 or 800-344-3867 Toll Free USA/Canada  
**Email:** [orderlit@onsemi.com](mailto:orderlit@onsemi.com)

**N. American Technical Support:** 800-282-9855 Toll Free  
USA/Canada  
**Europe, Middle East and Africa Technical Support:**  
Phone: 421 33 790 2910  
**Japan Customer Focus Center**  
Phone: 81-3-5773-3850

**ON Semiconductor Website:** [www.onsemi.com](http://www.onsemi.com)  
**Order Literature:** <http://www.onsemi.com/orderlit>  
For additional information, please contact your local  
Sales Representative